


FO-3.1.003	Enquiry-Data Sheet Column Agitators	VISCO JET 	
Autor S. Huber	Ausgabedatum 13.05.2016	Gültig ab Freigabe	Seite 1 von 3

Name: _____ **Datum:** _____

Firmenname: _____

Adresse: _____

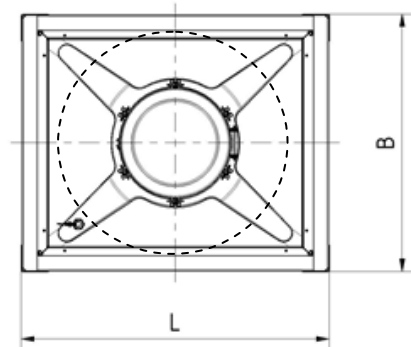
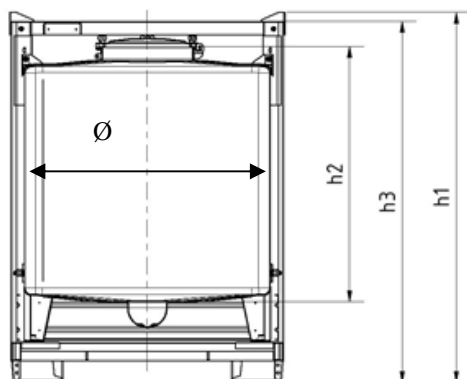
Tel.: _____ **Fax:** _____


E-Mail: _____

Information required for quotation of a column agitator

vessel data:

	vessel 1			vessel 2			vessel 3		
vessel	transport vessel :			transport vessel:			transport vessel:		
	drum :			drum:			drum:		
	bucket :			bucket:			bucket :		
vessel shape	cylindrical			cylindrical			cylindrical		
	rectangular			rectangular			rectangular		
useful volumen	m ³			m ³			m ³		
eccentric	<input type="radio"/> Nein	<input type="radio"/> Ja	mm	<input type="radio"/> Nein	<input type="radio"/> ja	mm	<input type="radio"/> Nein	<input type="radio"/> ja	mm
height interior	mm			mm			mm		
h2									
height exterior	mm			mm			mm		
h3									
vessel	mm			mm			mm		
Ø oder BxL Ø or WxL									
vessel opening	mm			mm			mm		
Ø									
Quote when more container on extra sheet!									



FO-3.1.003	Verkauf & Verkaufsbearbeitung		
	Enquiry-Data Sheet Column Agitators		
Autor S. Huber	Ausgabedatum 13.05.2016	Gültig ab Freigabe	Seite 2 von 3

column agitator:

manual lifting		electrical lifting	
mobile		mobile	
wall mounted		wall mounted	
Floor mounted		Floor mounted	
wall and floor mounted		wall and floor mounted	

please check mark

Product data :

Product		
agitating task	<input type="checkbox"/> homogenize <input type="checkbox"/> suspend <input type="checkbox"/> dispersing <input type="checkbox"/> keep in motion	
flow behaviour	<input type="checkbox"/> newtonian <input type="checkbox"/> thixotropic / shear-thinner <input type="checkbox"/> rheopexy / shear-thickening	
density		Kg/m ³
viscosity		mPas
solids content		Gew-%
temperature		°C
pressure		bar, abs*

* In an absolute pressure measurement, the difference to the absolute vacuum (zero pressure) is measured

additional info :

room height:		m			
power supply :		Hz / frequency		no. of phases	
Explosion proof	<input type="checkbox"/> Nein	<input type="checkbox"/> Ja	Detail:		
	ex-zone inside:			ex-zone outside:	

!!IMPORTANT! Cable lenght from agitator to control cabinet _____ in Meter

FO-3.1.003	Verkauf & Verkaufsbearbeitung		
	Enquiry-Data Sheet Column Agitators		
Autor S. Huber	Ausgabedatum 13.05.2016	Gültig ab Freigabe	Seite 3 von 3

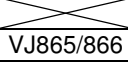
Control systems NON-ATEX

only VJ200, VJ400, VJ401 VJ460, VJ490 Switch box NON-ATEX

	VJ810	VJ815
mixing speed	■	■
mixing time	—	■

please check mark

all types control system NON-ATEX with touch panel

control cabinet steel coated						please check mark
control cabinet stainless steel (FDA)						
man: VJ200, VJ400, VJ401 VJ460, VJ490	VJ820/821	VJ830/831	VJ840/841	VJ850/851		
el.: VJ411, VJ420, VJ431, VJ421, VJ495	VJ825/826	VJ835/836	VJ845/846	VJ855/856	VJ865/866	
mixing time	■	■	■	■	■	
mixing speed	■	■	■	■	■	
Intervall	—	■	■	■	■	
fluid level measurement suitable (without Sensor)	—	—	—	■	opt.	
mixing level (only el. lifting)	—	—	—	—	■	
number of programs	1	1	>10	>10	>10	

please check mark

Control systems ATEX for VISCO JET® column agitators

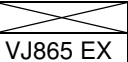


nur / only VJ200, VJ400, VJ401 VJ460, VJ490 switch box Ex

SIL3 (security integrity level) ?		Y / N
with mixing time?		Y / N

all types
control system ATEX
control cabinet in non-Ex-area, operator panel in Ex-area)

operator panel plastic		please check mark
stainless steel cabinet (FDA)		

man: VJ200, VJ400, VJ401 VJ460, VJ490	VJ820 EX	VJ830 EX	VJ840 EX	
el.: VJ411, VJ420, VJ431, VJ421, VJ495	VJ825 EX	VJ830 EX	VJ845 EX	VJ865 EX
mixing time	■	■	■	■
mixing speed	■	■	■	■
Intervall	—	■	■	■
fluid level	—	—	—	—
mixing level (only el. lifting)	—	—	—	■
number of programs	1	1	5	5

please check mark